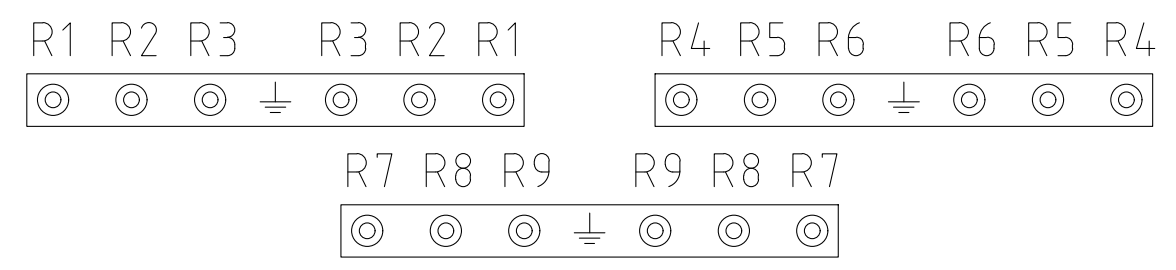
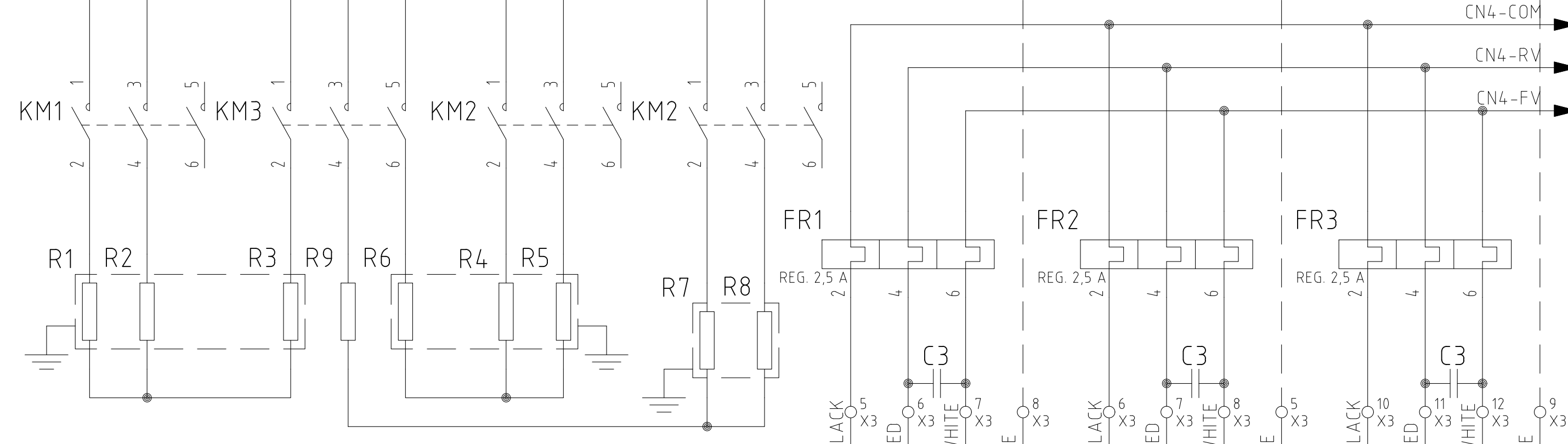
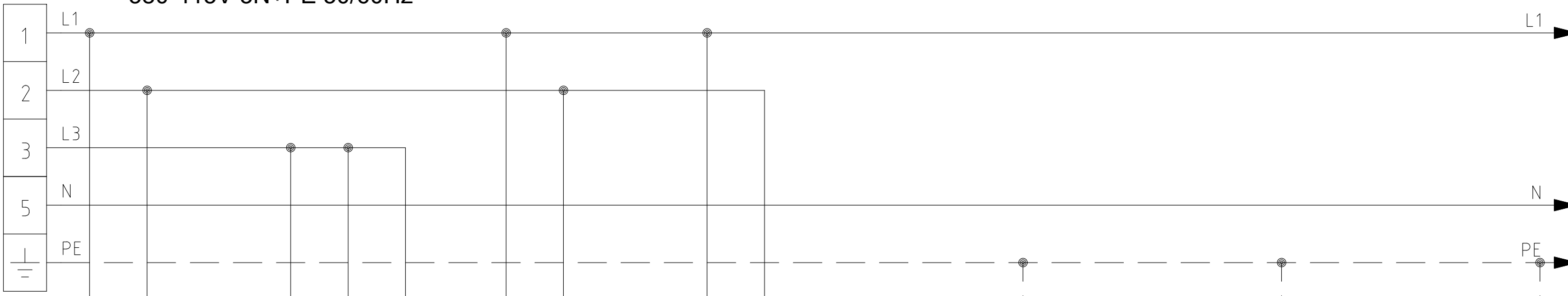
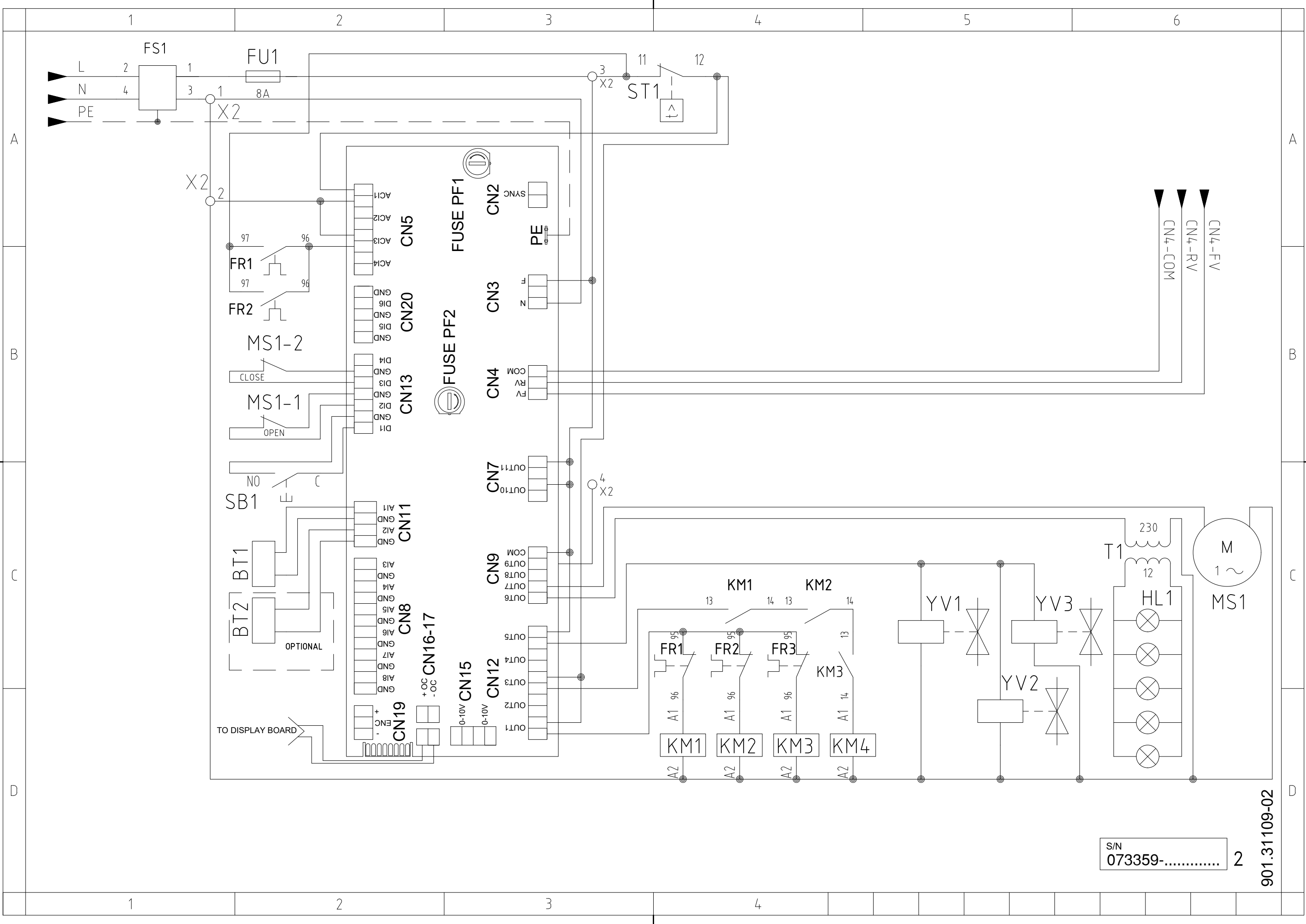


X1 ~ 380-415V 3N+PE 50/60Hz



S/N
073359-..... 1

901.31109-02



S/N
073359-..... 2

901.31109-02

1

2

3

4

5

6

IT

GB

FR

DE

ES

A

BT1 SONDA DI TEMPERATURA
 BT2 SONDA AL CUORE
 C1 CONDENSATORE
 C2 CONDENSATORE
 C3 CONDENSATORE
 FR1 TERMICO MOTORE
 FR2 TERMICO MOTORE
 FR3 TERMICO MOTORE
 FS1 FILTRO ANTIDISTURBO
 FU1 FUSIBILE
 HL1 LAMPADA CELLA
 KM1 CONTATTORE RESISTENZA
 KM2 CONTATTORE RESISTENZA
 KM3 CONTATTORE RESISTENZA
 KM4 CONTATTORE RESISTENZA
 M1 MOTORE VENTOLA
 M2 MOTORE VENTOLA
 M3 MOTORE VENTOLA
 MS1 MOTORE SFIATO FUMI
 R1 RESISTENZA
 R2 RESISTENZA
 R3 RESISTENZA
 R4 RESISTENZA
 R5 RESISTENZA
 R6 RESISTENZA
 R7 RESISTENZA
 R8 RESISTENZA
 R9 RESISTENZA
 SB1 MICRO-INTERRUTTORE PORTA
 ST1 TERMOSTATO SICUREZZA
 T1 TRASFORMATORE 230/12
 X1 MORSETTIERA ALIMENTAZIONE
 X2 MORSETTIERA DERIVAZIONE
 X3 MORSETTIERA DERIVAZIONE
 YV1 ELETTROVALVOLA UMIDIFICATORE
 YV2 ELETTROVALVOLA UMIDIFICATORE
 YV3 ELETTROVALVOLA UMIDIFICATORE

TEMPERATURE PROBE
 CORE PROBE
 KONDENSATOR
 KONDENSATOR
 KONDENSATOR
 MOTOR THERMIC SWITCH
 MOTOR THERMIC SWITCH
 MOTOR THERMIC SWITCH
 FILTER RADIO ANTIFRÉQUENCES
 FUSE
 LIGHT ROOM
 CONTACTOR HEATING ELEMENT
 CONTACTOR HEATING ELEMENT
 CONTACTOR HEATING ELEMENT
 CONTACTOR HEATING ELEMENT
 FAN MOTOR
 FAN MOTOR
 FAN MOTOR
 STEAM OUTLET MOTOR
 HEATING ELEMENT
 HEATING ELEMENT
 HEATING ELEMENT
 HEATING ELEMENT
 HEATING ELEMENT
 HEATING ELEMENT
 HEATING ELEMENT
 HEATING ELEMENT
 HEATING ELEMENT
 HEATING ELEMENT
 DOOR CONTACT SWITCH
 SAFETY THERMOSTAT
 TRANSFORMER 230/12
 SUPPLY TERMINAL BOARD
 BRANCH TERMINAL BOARD
 BRANCH TERMINAL BOARD
 ELECTRIC VALVE HUMIDIFIER
 ELECTRIC VALVE HUMIDIFIER
 ELECTRIC VALVE HUMIDIFIER

SONDE DE TEMPÉRATURE
 SONDE AU COEUR
 CONDENSATEUR
 CONDENSATEUR
 CONDENSATEUR
 RELAIS THERMOMAGNETIQUE
 RELAIS THERMOMAGNETIQUE
 RELAIS THERMOMAGNETIQUE
 FILTRE DES ANTIFRÉQUENCES RADIO
 FUSIBLE
 LAMPE CHAMBRE
 CONTACTEUR RESISTENCE
 CONTACTEUR RESISTENCE
 CONTACTEUR RESISTENCE
 CONTACTEUR RESISTENCE
 MOTEUR
 MOTEUR
 MOTEUR
 MOTEUR EVACUATION VAPEURS
 RESISTENCE
 RESISTENCE
 RESISTENCE
 RESISTENCE
 RESISTENCE
 RESISTENCE
 RESISTENCE
 RESISTENCE
 RESISTENCE
 RESISTENCE
 INTERRUPTEUR DE LA PORTE
 THERMOSTAT DE SÉCURITÉ
 TRANSFORMATEUR 230/12
 BORNE ALIMENTATION
 BORNE DE DÉRVATION
 BORNE DE DÉRVATION
 ELECTROVANNE HUMIDIFICATEUR
 ELECTROVANNE HUMIDIFICATEUR
 ELECTROVANNE HUMIDIFICATEUR

TEMPERATURFÜHLER
 KERNFÜHLER
 KONDENSATOR
 KONDENSATOR
 KONDENSATOR
 HILFSRELAIS THERMOMAGNET
 HILFSRELAIS THERMOMAGNET
 HILFSRELAIS THERMOMAGNET
 FILTER DER RADIOANTIFRÉQUENCES
 SICHERUNGEN
 LAMPE CELLE
 SCHUTZ HEIZKORPER
 SCHUTZ HEIZKORPER
 SCHUTZ HEIZKORPER
 SCHUTZ HEIZKORPER
 MOTOR VENTILATOR
 MOTOR VENTILATOR
 MOTOR VENTILATOR
 MOTOR DAMPFABLAßVENTI
 HEIZKORPER
 HEIZKORPER
 HEIZKORPER
 HEIZKORPER
 HEIZKORPER
 HEIZKORPER
 HEIZKORPER
 HEIZKORPER
 HEIZKORPER
 HEIZKORPER
 TÜRKONTSCHALTER
 SICHERHEITSTHERMOSTAT
 TRANSFORMATOR 230/12
 VERSORGUNGSKLEMMENLEISTE
 ABZWEIGUNGSKLEMMENLEISTE
 ABZWEIGUNGSKLEMMENLEISTE
 ELEKTROVENTIL BEFEUCHTER
 ELEKTROVENTIL BEFEUCHTER
 ELEKTROVENTIL BEFEUCHTER

SONDA DE TEMPERATURA
 SONDA EN LE CORAZÓN
 CONDENSATOR
 CONDENSATOR
 CONDENSATOR
 RELE MAGNÉTICO
 RELE MAGNÉTICO
 RELE MAGNÉTICO
 FILTRO ANTIFRÉQUENCES DE RADIO
 FUSIBLE
 LAMPARA CELDA
 CONTACTOR RESISTENCIA
 CONTACTOR RESISTENCIA
 CONTACTOR RESISTENCIA
 CONTACTOR RESISTENCIA
 MOTOR DE VENTILADOR
 MOTOR DE VENTILADOR
 MOTOR DE VENTILADOR
 MOTOR SALIDA DEL VAPOR
 RESISTENCIA
 RESISTENCIA
 RESISTENCIA
 RESISTENCIA
 RESISTENCIA
 RESISTENCIA
 RESISTENCIA
 RESISTENCIA
 RESISTENCIA
 RESISTENCIA
 INTERRUPTOR PUERTA
 TERMOSTATO DE SEGURIDAD
 TRANSFORMADOR 230/12
 CAJA DE BORNES ALIMENTACIÓN
 CAJA DE BORNES DERIVACIÓN
 CAJA DE BORNES DERIVACIÓN
 ELECTROVÁLVULA HUMIDIFICATOR
 ELECTROVÁLVULA HUMIDIFICATOR
 ELECTROVÁLVULA HUMIDIFICATOR

A

B

B

C

C

D

D

1

2

3

4

S/N
 073359-.....

3

901.31109-02